

Metal Box

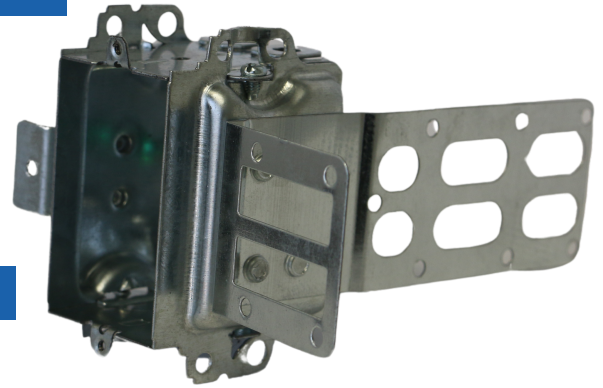
MODEL 3104-LSSAX

Product Specification Sheet



DESCRIPTION

- Tangible electrical device box alongside AC90/NMD cable clamps, wraparound bracket and integral support bracket.
- This box can also support a device into the wall
- Case Quantities- 24

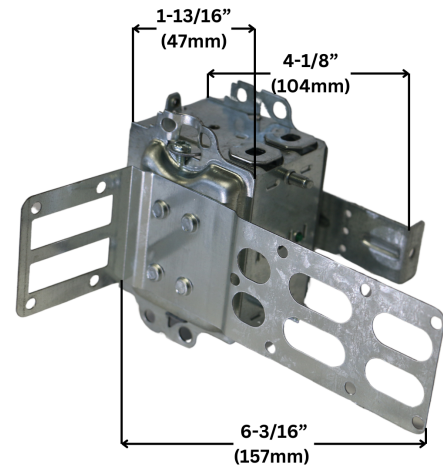
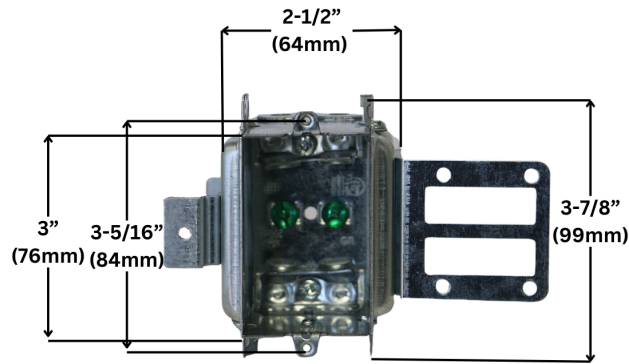


SPECIFICATIONS

Model 3104-LSSAX
Material Galvanized Steel
Box Type Steel Stud Wall
Application New work
Construction Assemble
Type



DIMENSIONS



| Reference | QTY. | Remarks | Project: |
|-----------|------|---------|---------------|
| | | | Location: |
| | | | Architect: |
| | | | Engineer: |
| | | | Contractor |
| | | | Submitted by: |
| | | | Date: |