

Non-metallic Box

MODEL SLH-3

Product Specification Sheet



DESCRIPTION

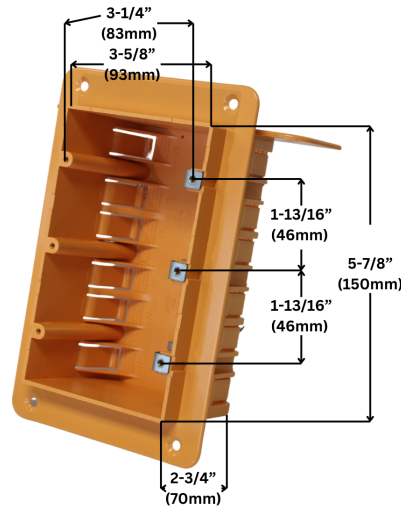
- Three gang non-metallic switch and outlet box
- The box is able to fit sockets, switches, dimmers and other accessories.
- Easy to install
- A universal accessory that is commonly used in a household

SPECIFICATIONS

Model	SLH-3
Material	PVC (Polyvinyl Chloride)
Colour	Yellow
CU.IN.	51
AWG	16-10



DIMENSIONS



Reference	QTY.	Remarks	Project:
			Location:
			Architect:
			Engineer:
			Contractor
			Submitted by:
			Date: