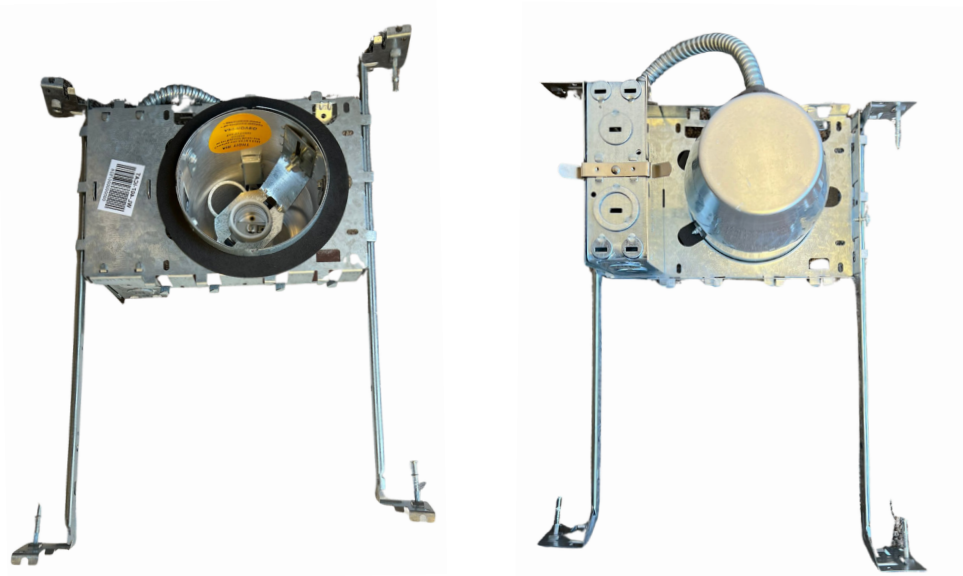


# 4" Recessed Housing

## MODEL GB-407-LCAT

Product Specification Sheet



## HIGHLIGHTS

- Commercial / Residential grade new construction E26 base R30/PAR20 Max. line voltage Air-Tight recessed housing
- This product comes with thermally protected with shut off sensor and is rated for damp locations
- Wire through junction box and adjustable hanger bar 14"-24"
- This product also meets the state of WA energy code ASTM E283 for air Tight

## SPECIFICATIONS

Model	GB-407-LCAT
Lamp Type	E26 base R30 / PAR20 50 W Max.
Mounting	Four-side
Input/Output Voltage	120V AC
Included	Detachable sockets / Push-in connectors / Cover to protect exposed from paint
Application	Commercial / Residential

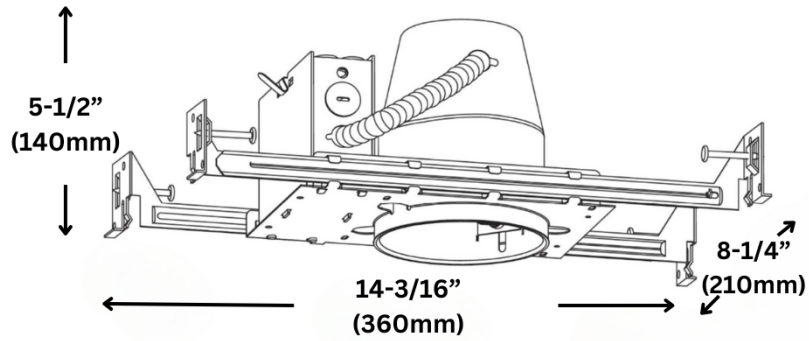
# 4" Recessed Housing

## MODEL GB-407-LCAT

Product Specification Sheet



### DIMENSIONS



Reference	QTY.	Remarks	Project:
			Location:
			Architect:
			Engineer:
			Contractor
			Submitted by:
			Date: