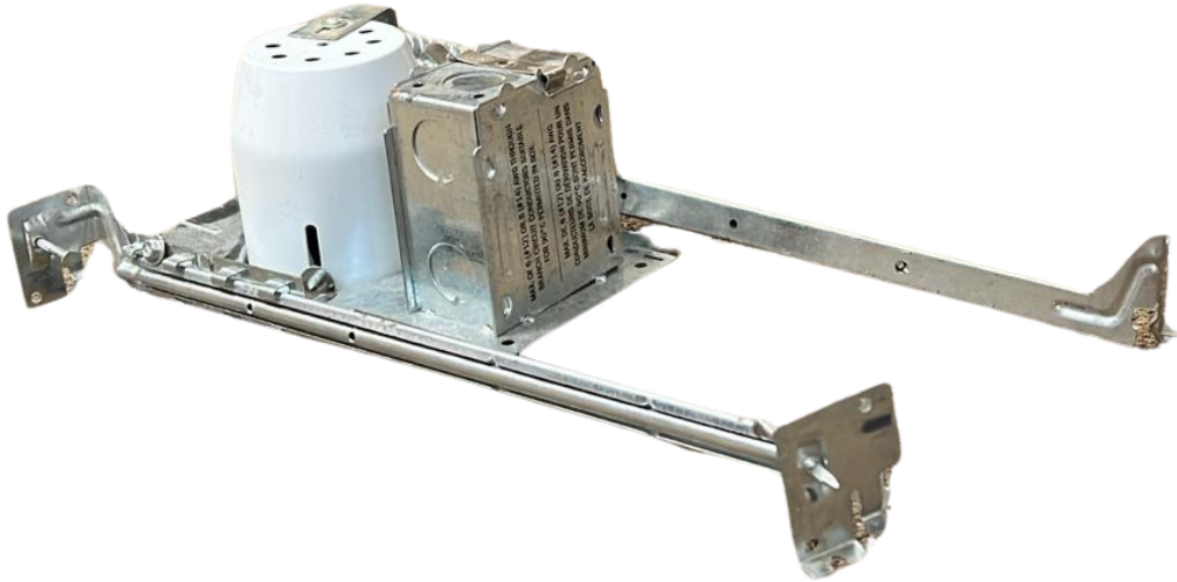


3" Recessed Housing

MODEL GB-303-CAT

Product Specification Sheet



HIGHLIGHTS

- Commercial / Residential grade new construction GU10 base 3" line voltage recessed housing
- This product comes with thermally protected with shut off sensor and is rated for damp locations
- Wire through junction box and adjustable hanger bar 14"-24"
- Minimum 3" space between housing & insulation

SPECIFICATIONS

Model	GB-303-CAT
Lamp Type	GU10 base 50W Max.
Mounting	Four-side
Input/Output Voltage	120V AC
Included	Detachable sockets / Push-in connectors / Cover to protect exposed from paint
Application	Commercial / Residential

info@gibson.supply
(604) 729-1818

13290 78 Ave
Surrey, BC

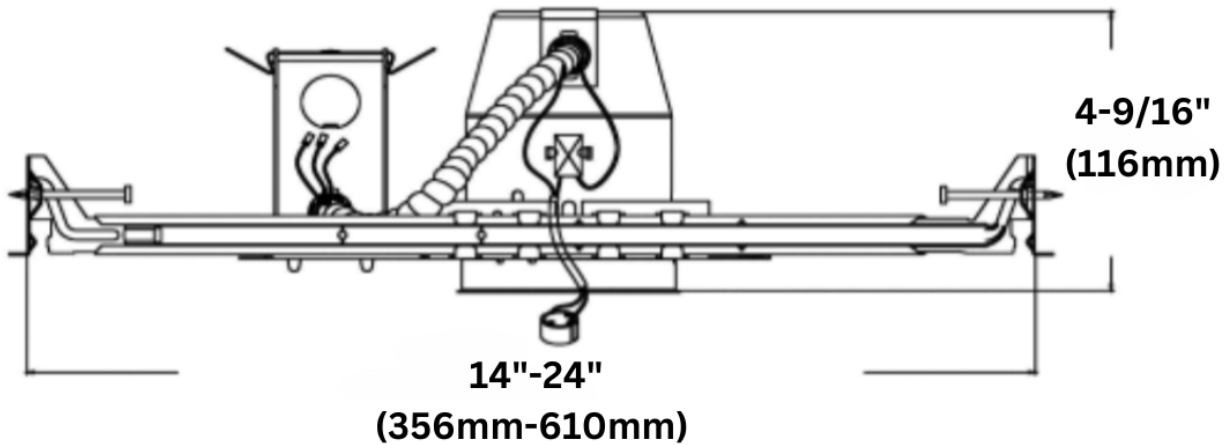
3" Recessed Housing

MODEL GB-303-CAT

Product Specification Sheet



DIMENSIONS



Reference	QTY.	Remarks	Project:
			Location:
			Architect:
			Engineer:
			Contractor:
			Submitted by:
			Date: