

LED Emergency Heads

MODEL GB-OE-703H

Product Specification Sheet



DESCRIPTION

- LED emergency dual heads for wall and ceiling mounting
- Injection-molded thermoplastic ABS housing
- UL-94V-0 flame rating fire retardant
- Super bright SMD LED 2 x 2W

SPECIFICATIONS

Model	GB-OE-703H
Wattage	4W
Voltage	3.6-24V DC
Lifetime	50000 hours
Dimmable	No
Colour Temperature	6500-7500K (Cool White)
Rating	Non-IC Rated / Indoor use / for Dry location
Operating Temperature	0°C ~ +40°C
Grade of Protection	IP 20
Application	Office / Warehouse / Hotel / School
Insulation	II, Range: 80m / 860ft

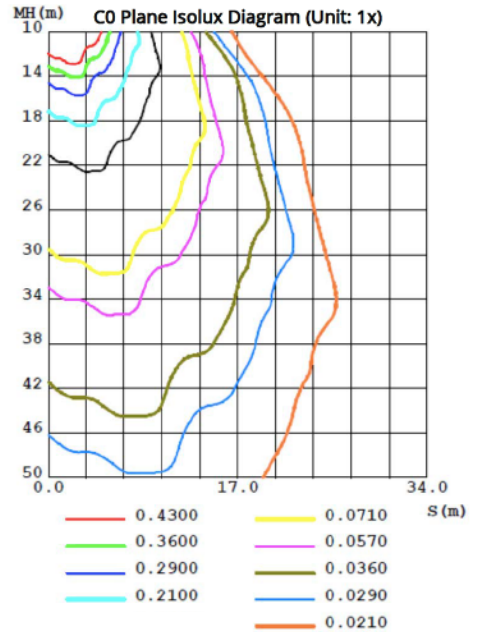
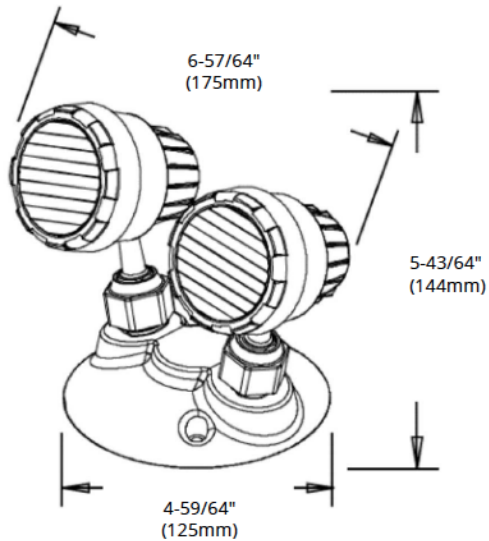
LED Emergency Heads

MODEL GB-OE-703H

Product Specification Sheet



DIMENSIONS & TESTINF REPORT



Luminous Intensity Distribution Diagram



Reference	QTY.	Remarks	Project:
			Location:
			Architect:
			Engineer:
			Contractor
			Submitted by:
			Date: